

NOTE:
Please read all
instructions carefully
before using this product

Table of Contents

Safety Notice

Important Assembly
Information

Care and Maintenance

Parts List

Warranty

Ordering Parts

Model
NS-T-Rack

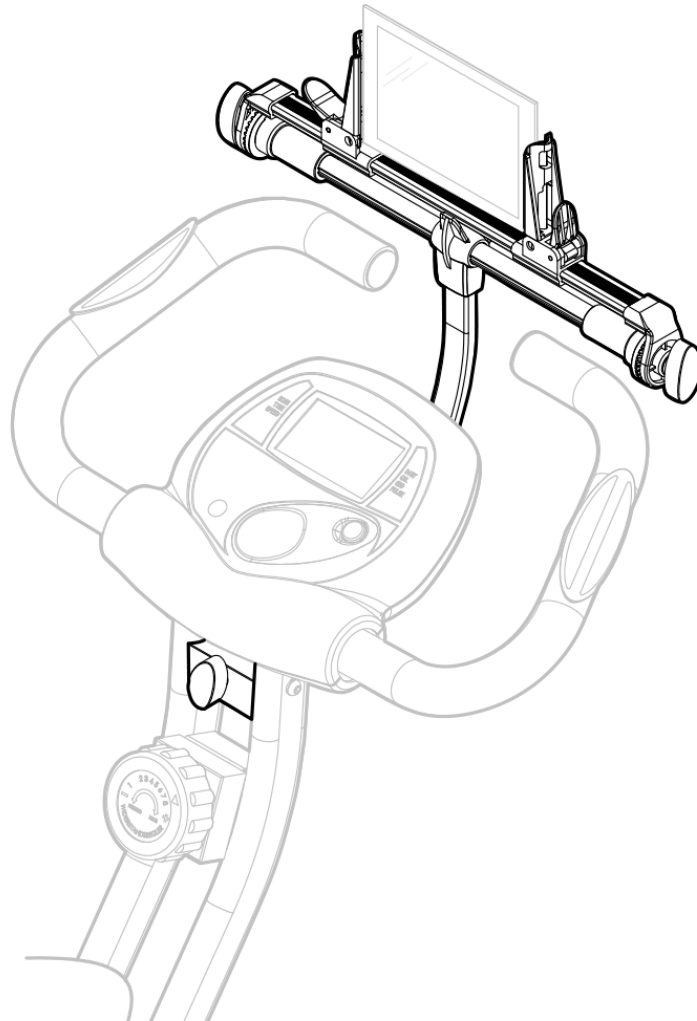
Retain This
Manual for
Reference

180514

**OWNER'S
MANUAL**

MARCY®

ULTRASPORT Tablet Rack



IMPORTANT: Please read this manual before commencing
assembly of this product.

IMPEX® INC.

2801 S. Towne Ave, Pomona, CA 91766

Tel: 800- 999-8899

www.marcypro.com

support@impex-fitness.com

TABLE OF CONTENTS

BEFORE YOU BEGIN	1
IMPORTANT SAFETY NOTICES	2
CARE AND MAINTENANCE	2
COMPONENTS	3
ASSEMBLY INSTRUCTIONS	4
ADJUSTMENT INSTRUCTION	6
TILT ADJUSTMENT	9
EXPLODED DIAGRAM	10
PARTS LIST	10
WARRANTY	11
ORDERING PARTS	11

BEFORE YOU BEGIN

Thank you for selecting MARCY ULTRASPORT Tablet Rack by IMPEX® INC. For your safety and benefit, read this manual carefully before using the equipment. As a manufacturer, we are committed to providing you with complete customer satisfaction. If you have any questions, or find there are missing or damaged parts, we guarantee you complete satisfaction through direct assistance from our factory. To avoid unnecessary delays, *please call our TOLL-FREE customer service number*. Our Customer Service Agents will provide immediate assistance.

Toll-Free Customer Service Number

1-800-999-8899

Mon. – Fri. 9 a.m. – 5 p.m. PST

www.marcypro.com

support@impex-fitness.com

IMPORTANT SAFETY NOTICE

This equipment is built for optimum safety. However, certain precautions apply whenever you operate any piece of equipment. Be sure to read the entire manual before you assemble or operate your equipment. In particular, note the following safety precautions:

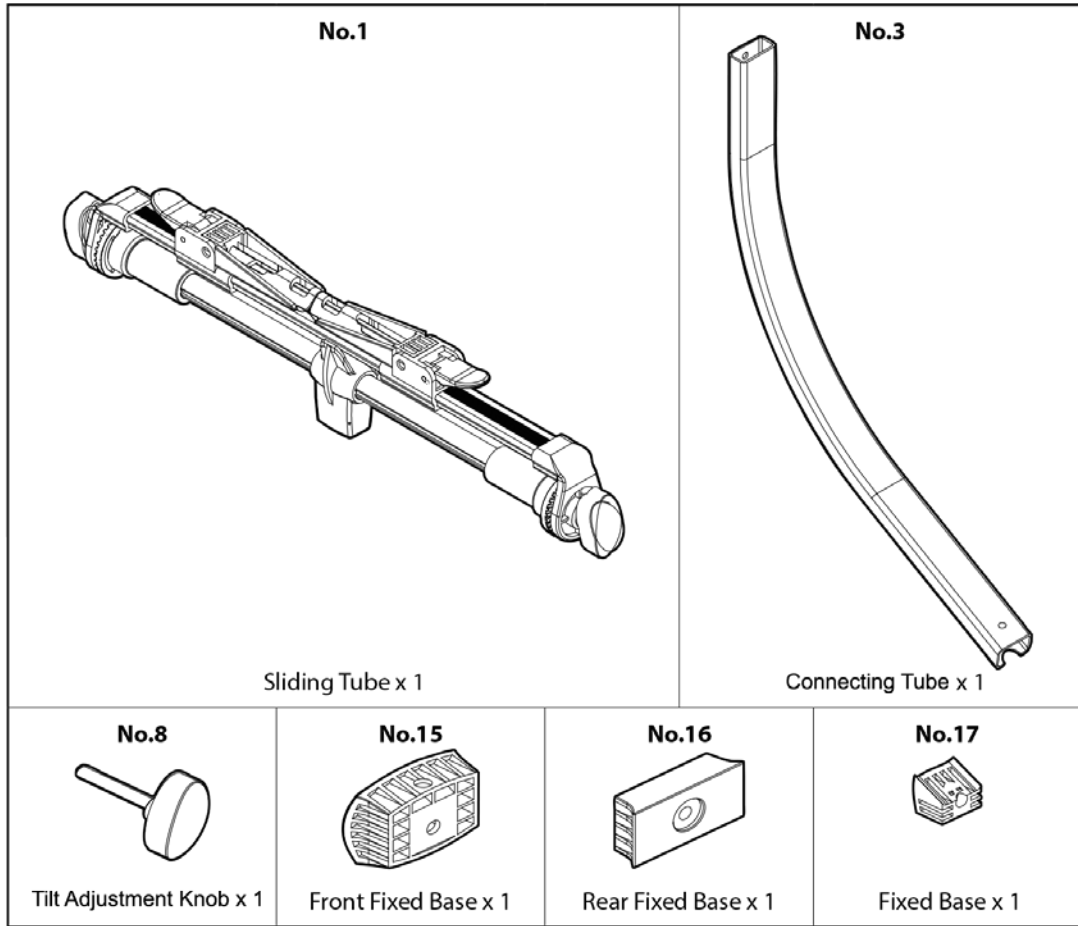
1. **Read the warning notice and instruction prior to assembling and using the equipment.**
2. **This equipment is not intended for children under 12 years of age.**
3. Do not leave children unattended with the equipment.
4. **This equipment is intended for indoor use and for consumer use only.**
5. Inspect before use. Never use the equipment if it is not functioning properly.
6. Always wear appropriate workout clothing when exercising.
7. Do not use the equipment when it is wet.
8. Use the equipment only with mature, knowledgeable supervision.
9. Do not use the equipment while under influence of alcohol or drugs.
10. If the user experience dizziness, nausea, chest pain, or any other abnormal symptoms, STOP the workout at once. CONSULT A PHYSICIAN IMMEDIATELY.

Care and Maintenance

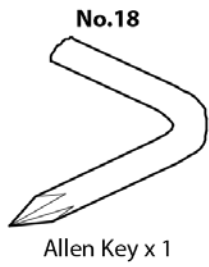
1. For equipment information, contact the manufacturer.
2. Periodically inspect all parts to ensure all parts are functioning properly.
3. Replace any worn and/or damaged parts immediately.
4. Always keep the top surface of the pedals clean and dry.
5. Use mild household spray cleaners and/or a damp rag to wipe clean. Do not use harsh cleaning chemicals.
6. Sand rusted areas on tubular members and repaint using a non-lead-based paint meeting the requirements of Title 16 CFR Part 1303.
7. Disposal Instructions – The equipment can be safely disassembled and disposed.. Call your local recycle agency regarding details of recycling.

WARNING: BEFORE BEGINNING ANY EXERCISE PROGRAM, CONSULT YOUR PHYSICIAN. THIS IS ESPECIALLY IMPORTANT FOR INDIVIDUALS OVER THE AGE OF 35 OR PERSONS WITH PRE-EXISTING HEALTH PROBLEMS. READ ALL INSTRUCTIONS BEFORE USING ANY FITNESS EQUIPMENT. IMPEX INC. ASSUMES NO RESPONSIBILITY FOR PERSONAL INJURY OR PROPERTY DAMAGE SUSTAINED THROUGH THE USE OF THIS PRODUCT. SAVE THESE INSTRUCTIONS.

COMPONENTS FOR ASSEMBLY



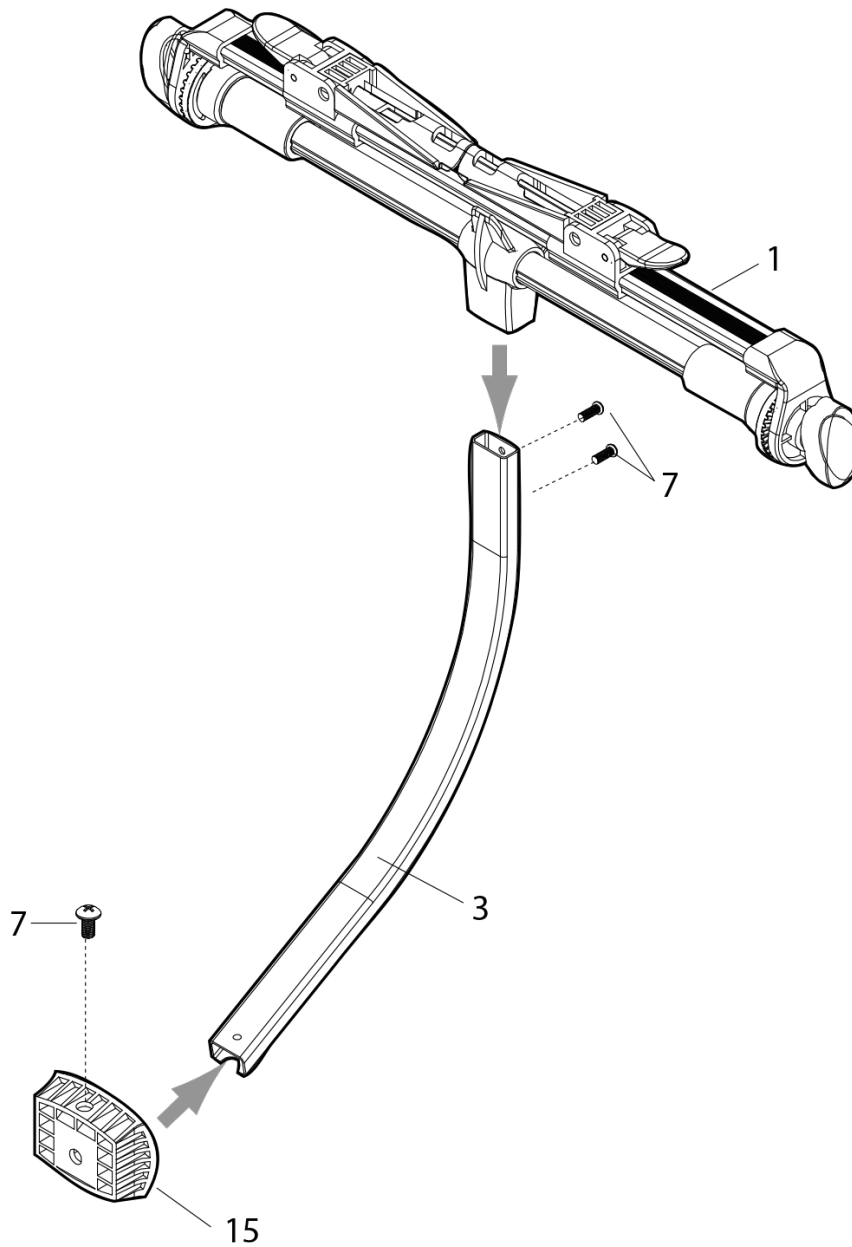
FIXING TOOLS



ASSEMBLY INSTRUCTION

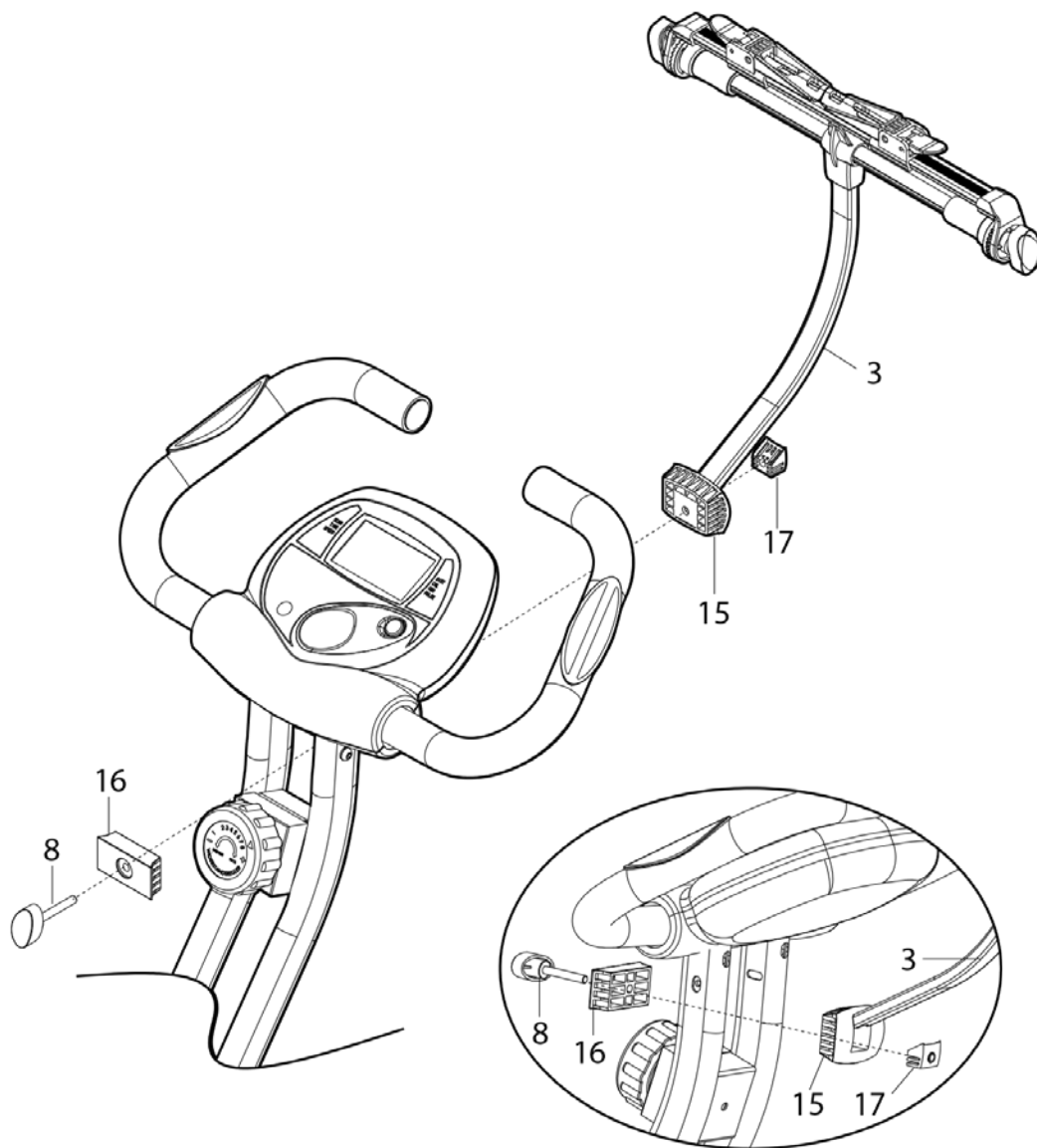
Step 1

1. Fix the sliding Tube (#1) to the Connecting Tube (#3), tighten with two Phillips head screws which are preassembled on the Connection Tube (#3).
2. Insert the Connecting Tube (#3) into Front Fixed Base (#15), tighten with one Phillips head screw (#7), which is preassembled on the Connecting Tube (#3).



Step 2

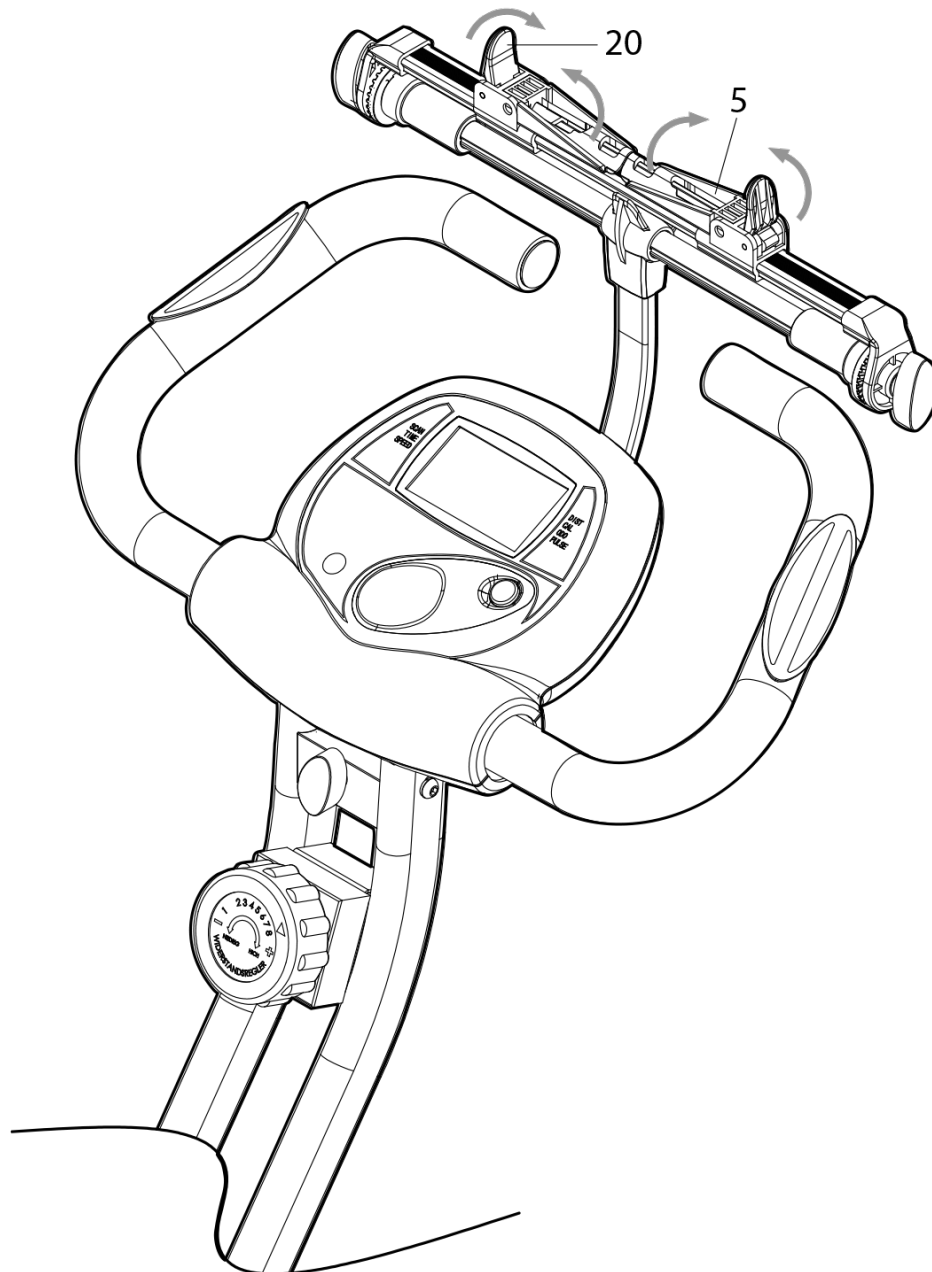
1. Fix the Fixed Base (#17) to the Front Fixed Base (#15), tighten the Tilt Adjustment Knob (#8) and Rear Fixed Base (#16) to the bike.



ADJUSTMENT INSTRUCTION

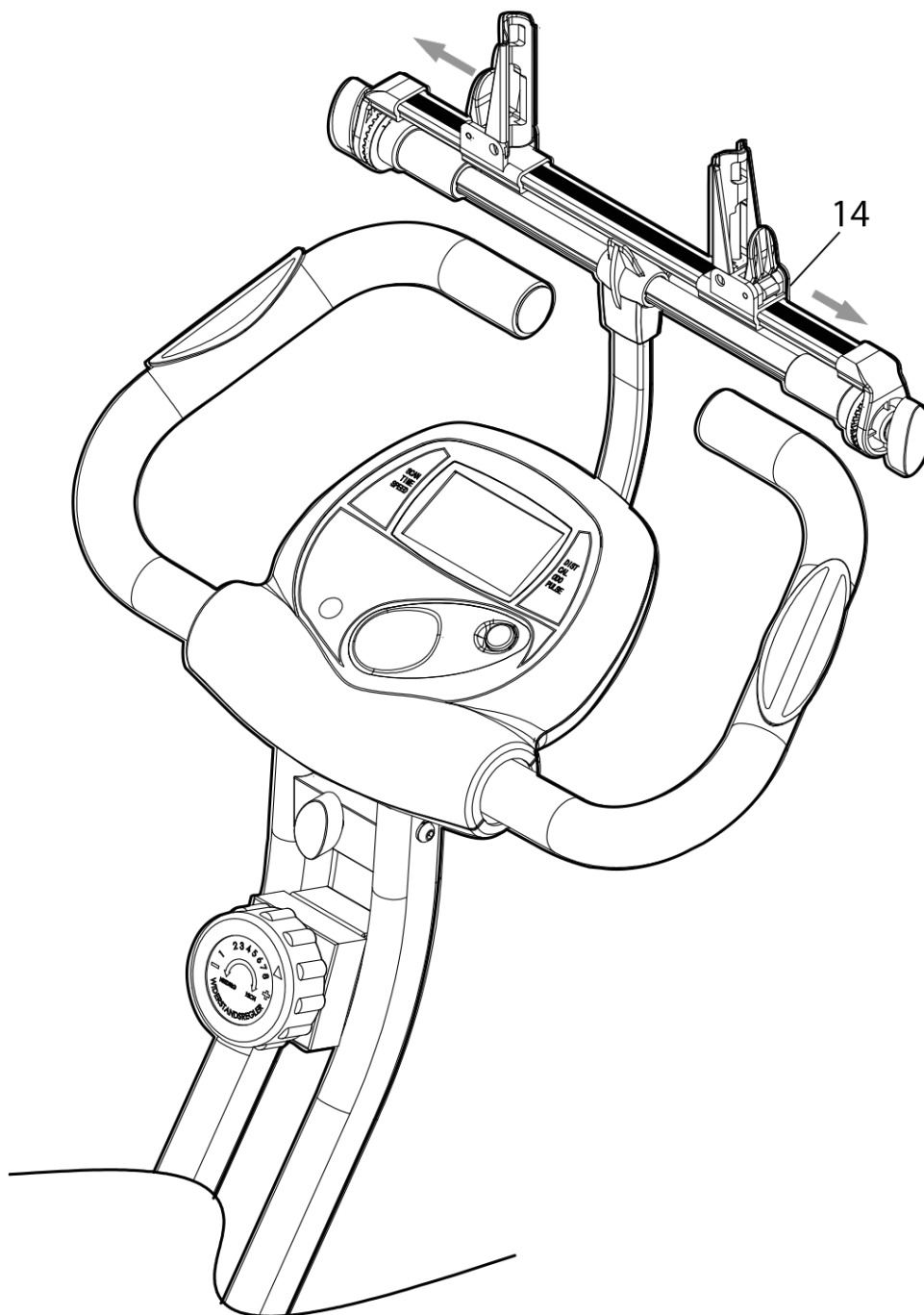
Step 1

1. Loosen the Press Base (#20) and limiting Base (#5)



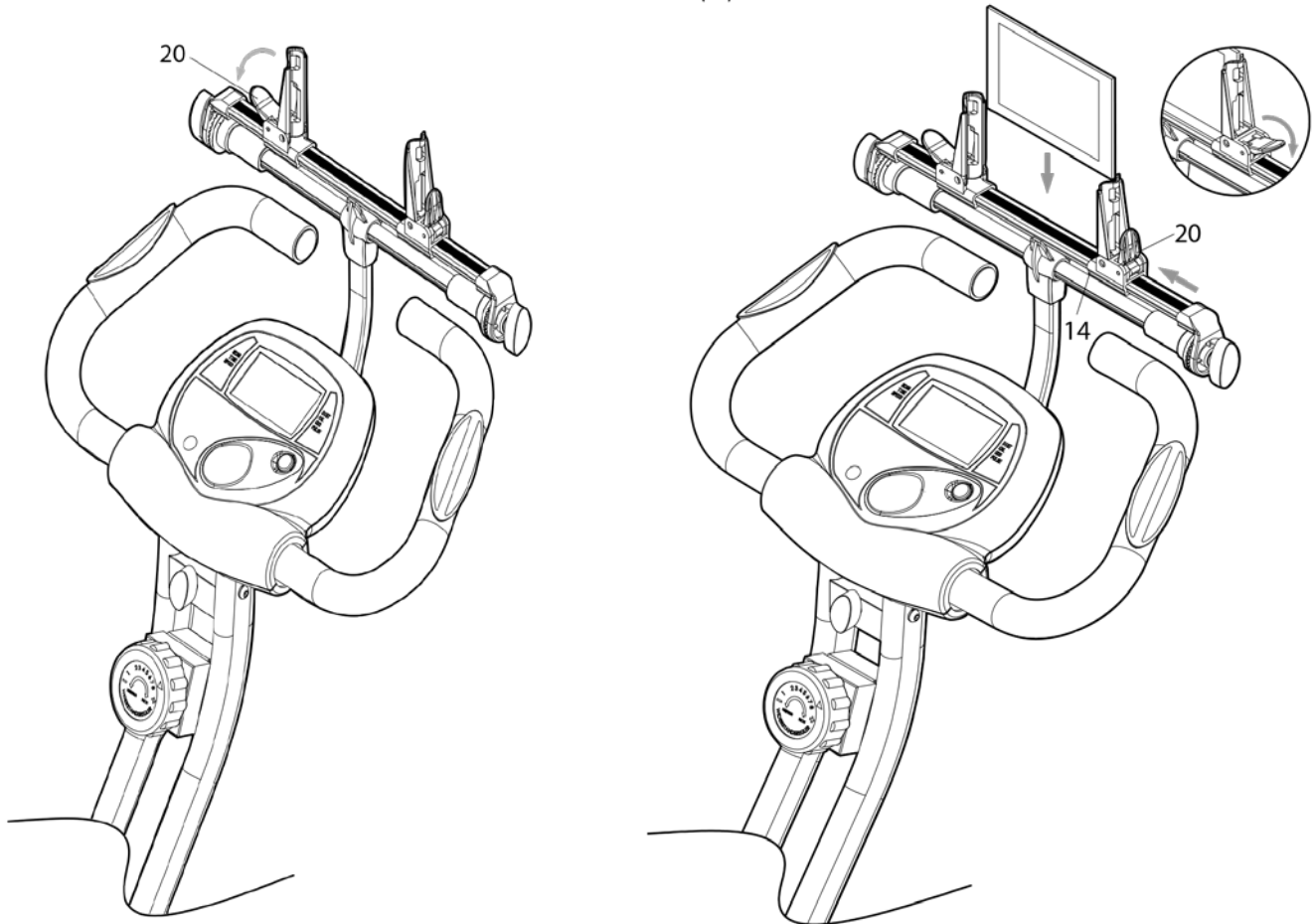
Step 2

1. Adjust the Sliding Bracket (#14) to the width of your cell phone or tablet.



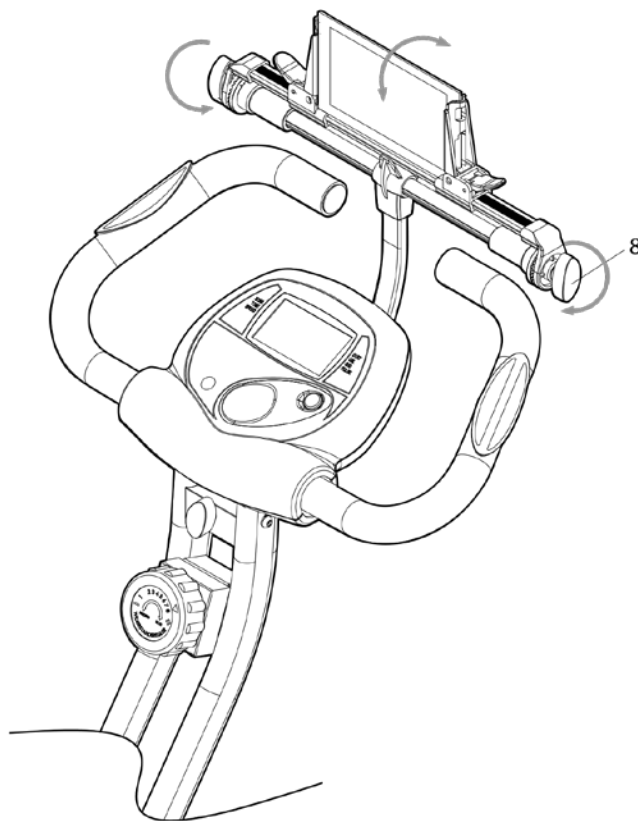
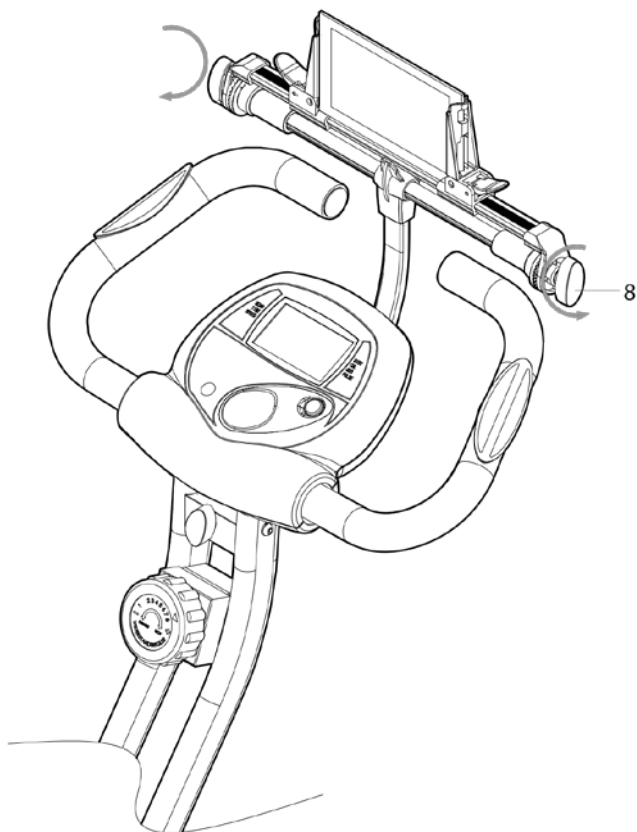
Step 3

1. Lock one of the Press Base (#20) first.
2. Insert cell phone or tablet into the locked Sliding Bracket (#14).
3. Adjust the opposing Sliding Bracket to fit and lock in the Press Base (#20).



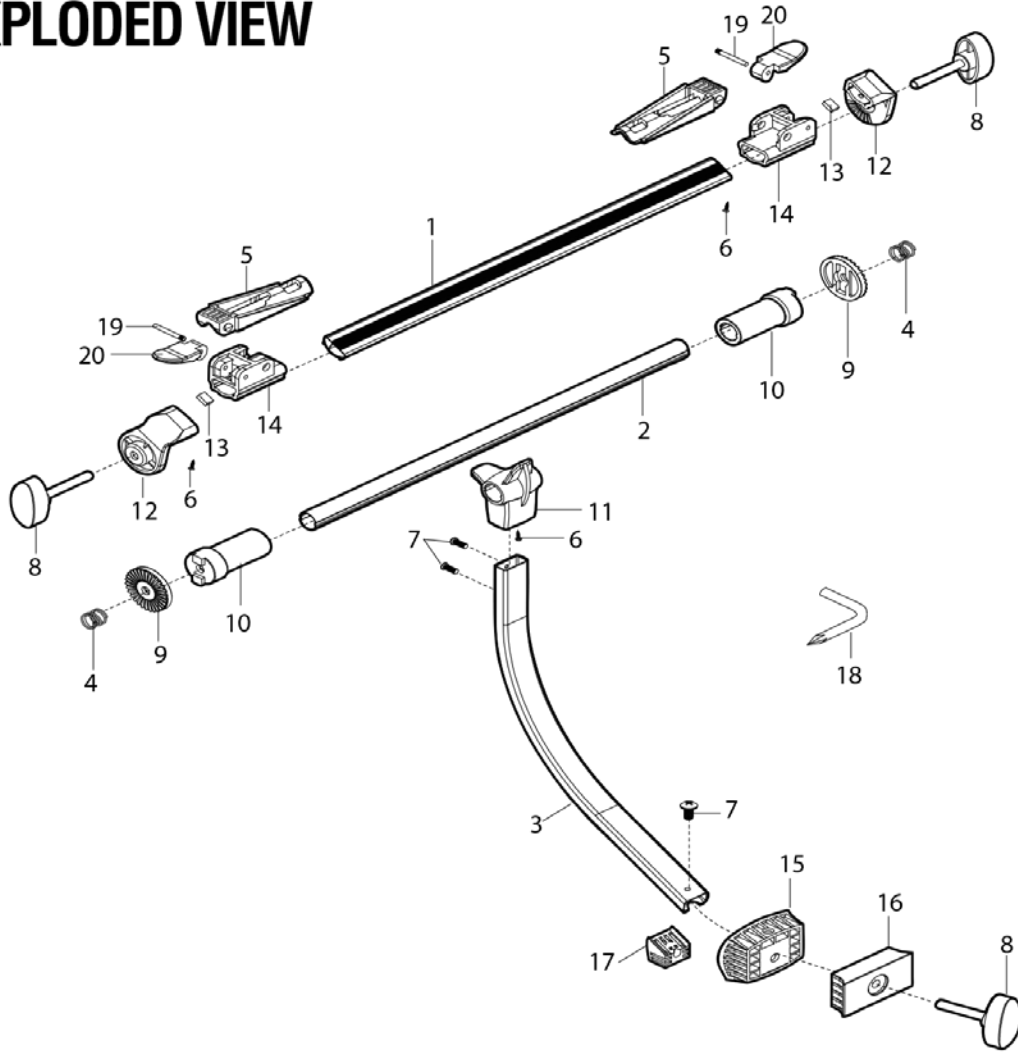
Tilt Adjustment

1. Hold the cell phone or tablet as you adjust the angle of tilt.
2. Loosen the two Tilt Adjustment Knobs (#8).
3. Adjust the cell phone or tablet to a suitable view angle and tighten the two Tilt Adjustment Knobs (#8) to secure it in place.



EXPLODED DIAGRAM

EXPLODED VIEW



NS-T-Rack PARTS LIST

Part No.	Description	Q'ty
01	Sliding Tube	1
02	Front stabilizer	1
03	Connecting Tube	1
04	Spring	2
05	Limiting Base	2
06	Self-Tapping Screw	3
07	Phillips Head Screw	3
08	Tilt Adjustment Knob	3
09	Flange Plate	2
10	Fixed Bushing	2

Part No.	Description	Q'ty
11	Angle Limiter	1
12	Sliding Tube Connector	2
13	Press Plate	2
14	Sliding Bracket	2
15	Front Fixed Base	1
16	Rear Fixed Base	1
17	Fix Base	1
18	Allen Key	1
19	Fixed Steel Rod	2
20	Press Base	2

IMPEX[®] INC.

LIMITED WARRANTY

IMPEX Inc. ("IMPEX[®]") warrants this product to be free from defects in workmanship and material, under normal use and service conditions, for a period of two years on the Frame from the date of purchase. This warranty extends only to the original purchaser. IMPEX's obligation under this Warranty is limited to replacing or repairing, at IMPEX's option.

All returns must be pre-authorized by IMPEX. Pre-authorization may be obtained by calling IMPEX Customer Service Department at 1-800-999-8899. All freights for products return to IMPEX must be prepaid by the customer. This warranty does not extend to any product or damage to a product caused by or attributable to freight damage, abuse, misuse, improper or abnormal usage or repairs not provided by an IMPEX authorized service center or for products used for commercial or rental purposes. No other warranty beyond that specifically set forth above is authorized by IMPEX.

IMPEX is not responsible or liable for indirect, special or consequential damages arising out of or in connection with the use or performance of the product or other damages with respect to any economic loss, loss of property, loss of revenues or profits, loss of enjoyments or use, costs of removal, installation or other consequential damages or whatsoever natures. Some states do not allow the exclusion or limitation of incidental or consequential damages. Accordingly, the above limitation may not apply to you.

The warranty extended hereunder is in lieu of any and all other warranties and any implied warranties of merchantability or fitness for a particular purpose is limited in its scope and duration to the terms set forth herein. Some states do not allow limitations on how long an implied warranty lasts. Accordingly, the above limitation may not apply to you.

This warranty gives you specific legal right. You may also have other rights which vary from state to state. **Register on-line www.marcypro.com**

**IMPEX[®] INC.
2801 S. Towne Ave.
Pomona, CA 91766**

ORDERING REPLACEMENT PARTS

Replacement parts can be ordered by calling our Customer Service Department toll-free at **1-800-999-8899** during our regular business hours: Monday through Friday, 9 am until 5 pm Pacific standard time.

support@impex-fitness.com

When ordering replacement part, always give the following information.

1. Model
2. Description of Parts
3. Part Number
4. Date of Purchase